

SINGER
47W70

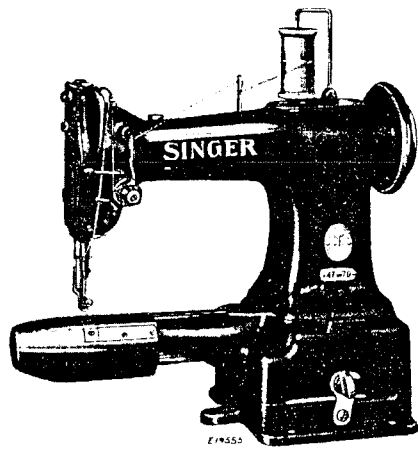
SINGER*

47w70

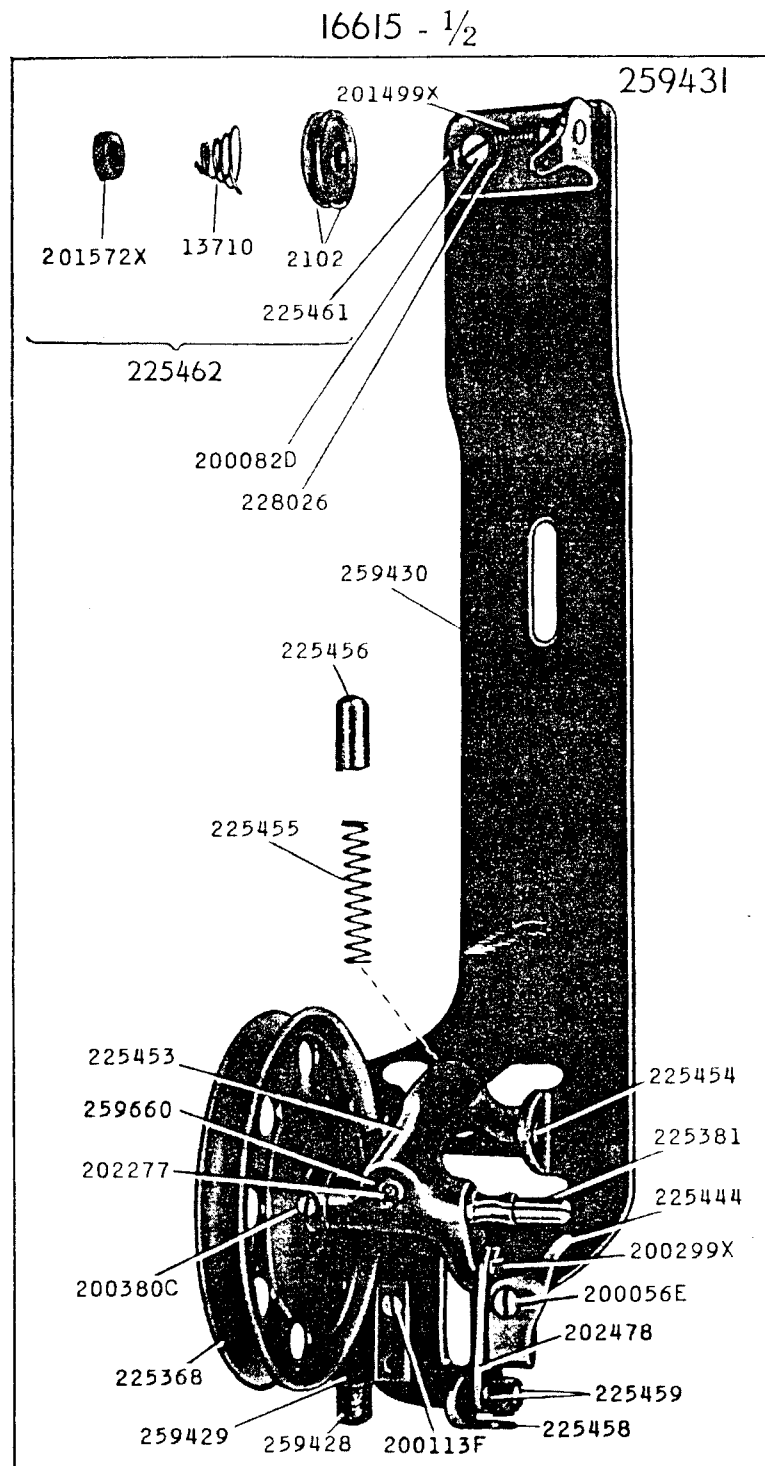
From the library of: Diamond Needle Corp

Property of
THE SINGER COMPANY
Industrial Products Division
Marketing Services (Advertising)
561 Broadway, N. Y. C. 10012

THE SINGER COMPANY

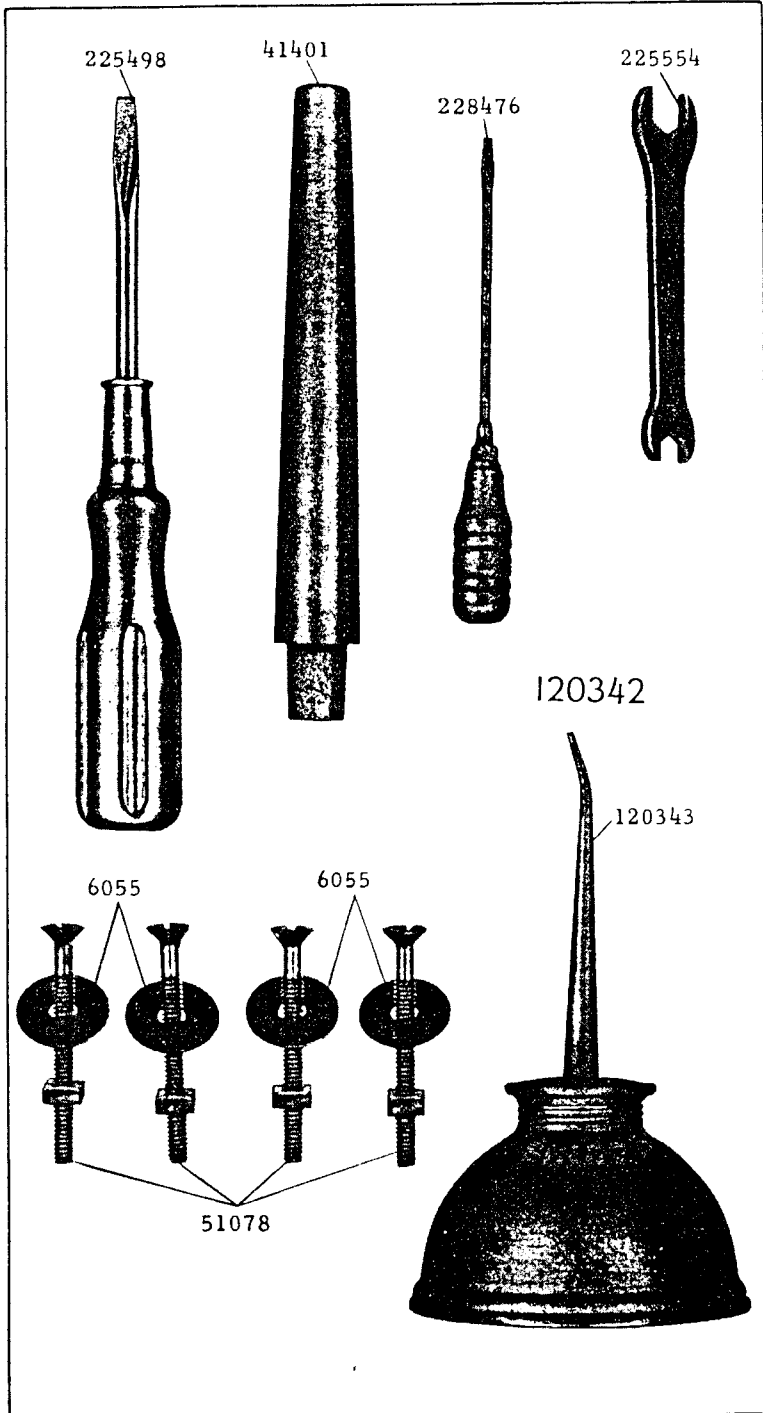


Copyright © 1956 by The Singer Company

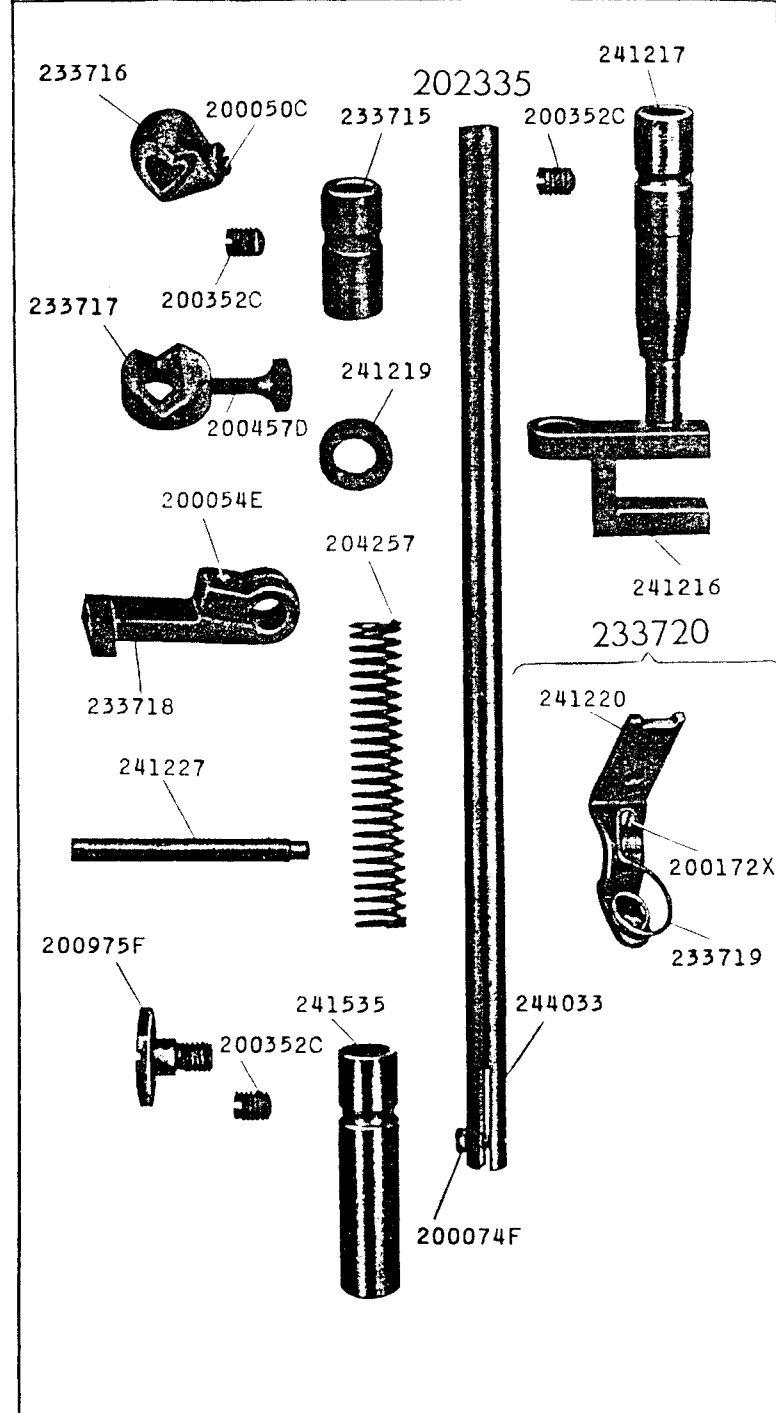


From the library of: Diamond Needle Corp

16783 - 1/2



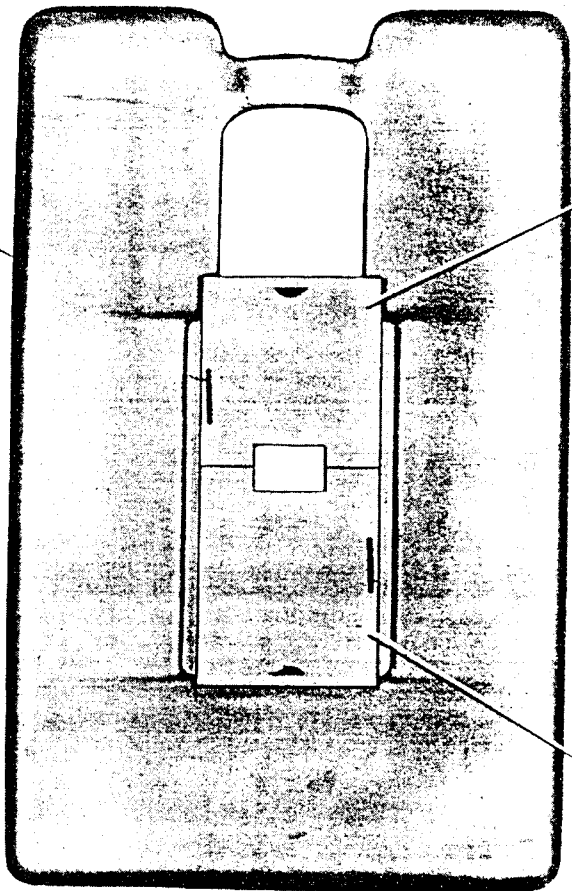
17026 5/8



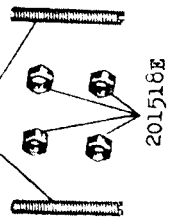
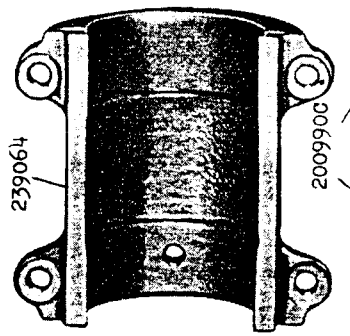
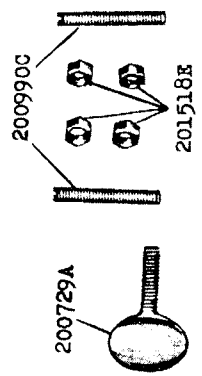
From the library of: Diamond Needle Corp

17028 - 3/8

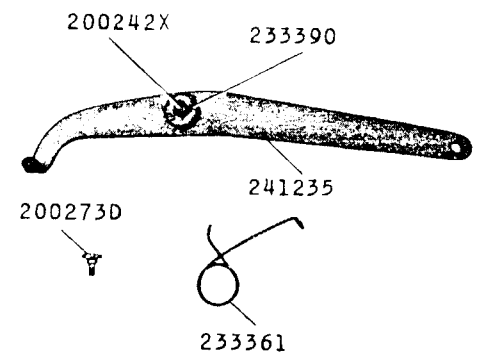
214013
239065



239066
239067

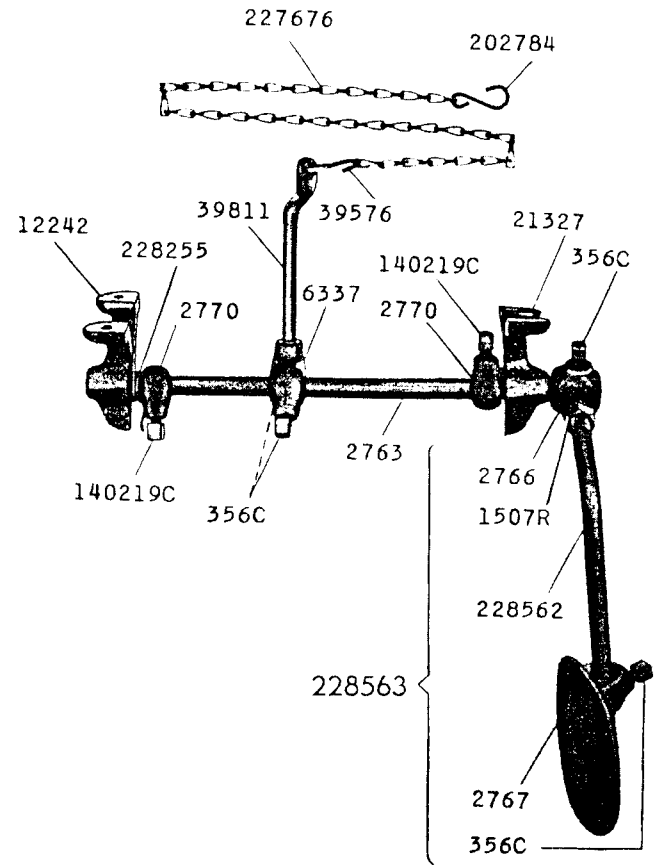


17029 1/4



200242X
233390
241235
2002730
233361

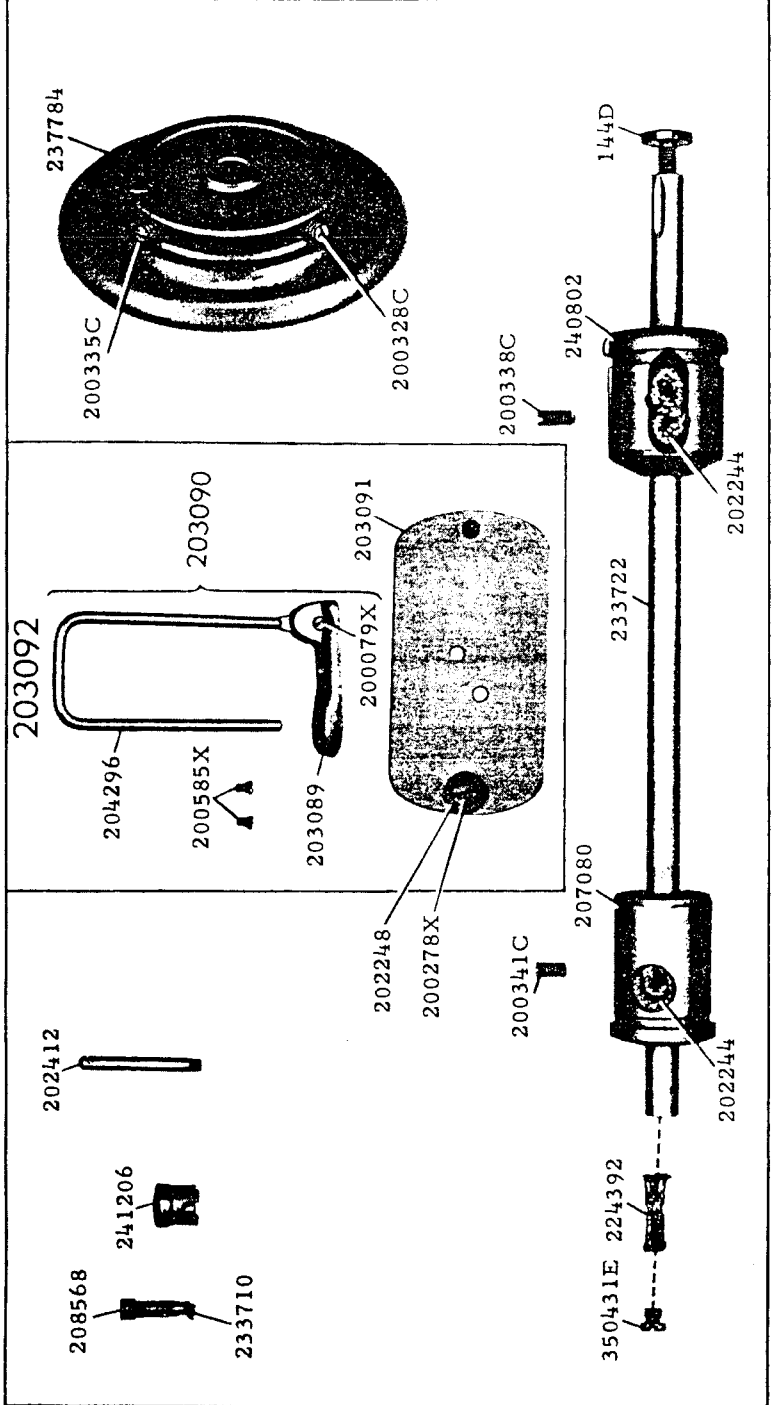
228251



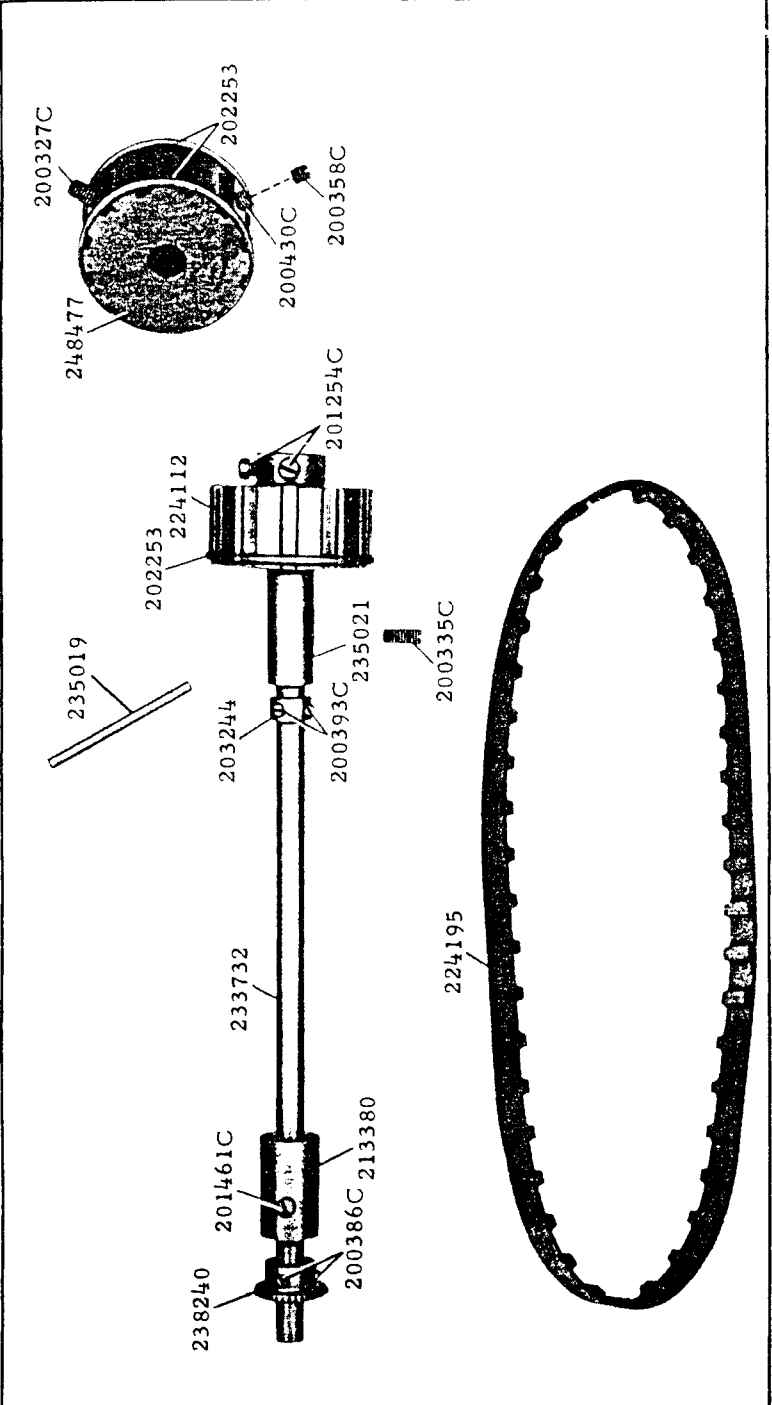
227676
202784
12242
228255
39811
39576
21327
356C
140219C
6337
2770
2770
2763
2766
1507R
228562
228563
2767
356C

From the library of: Diamond Needle Corp

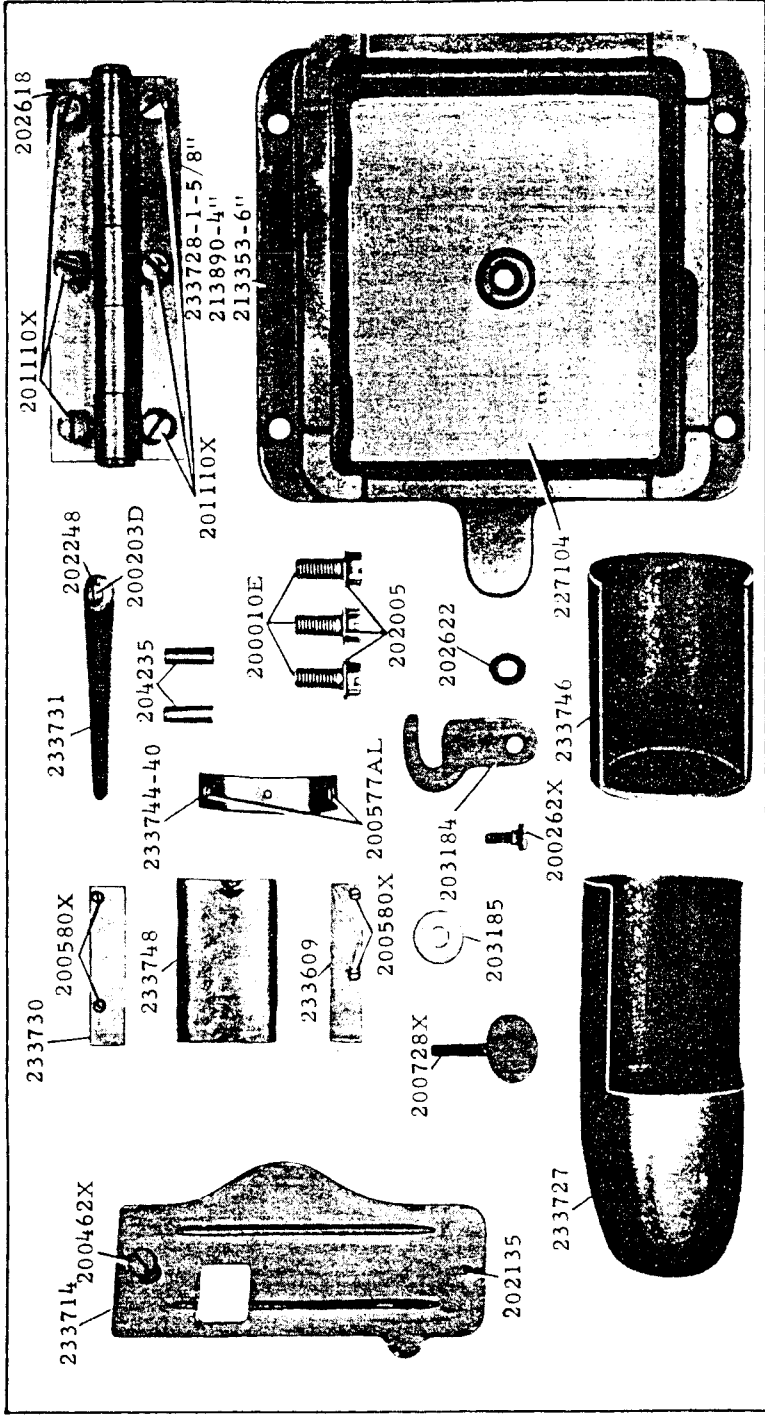
17069 - 3/8



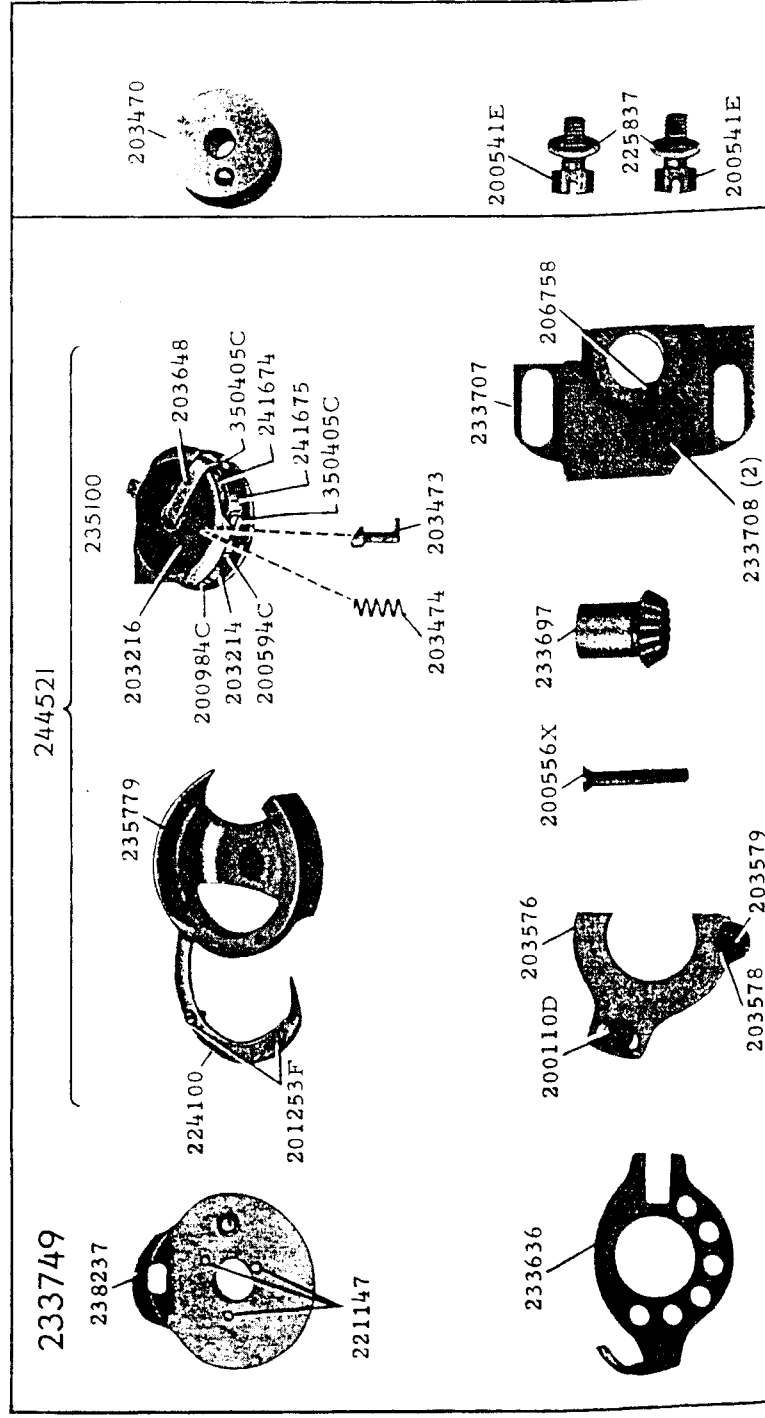
17070 - 3/8



From the library of: Diamond Needle Corp



Attn: Bob



From the library of: Diamond Needle Corp

